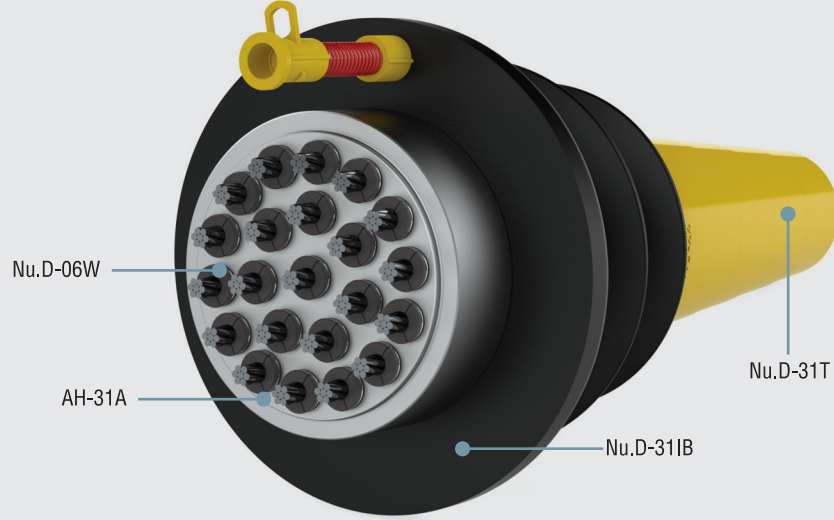


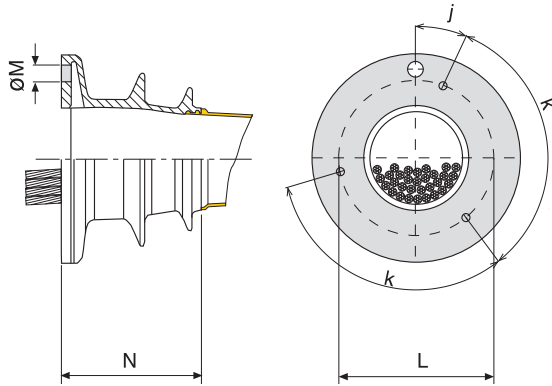
31 Halatlı Aktif Tip Ard Germe Grubu

31 Strand Active Post Tension Group

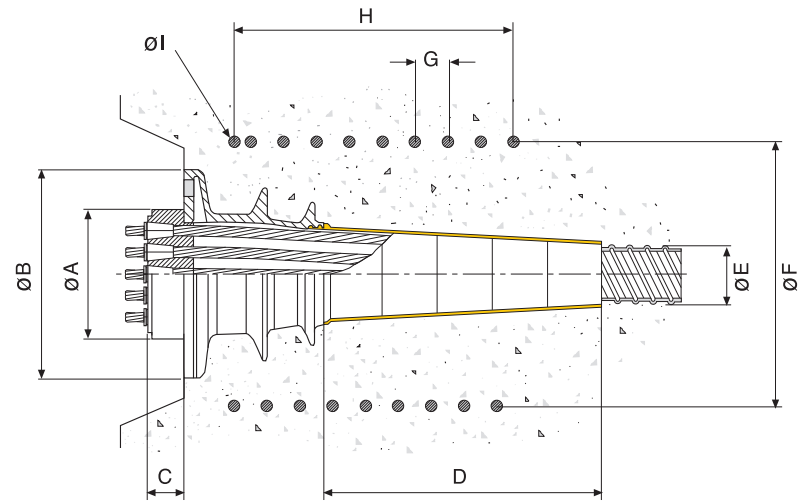
AG-31



AG-31	Adet / Number	(t) Sayfa / Page
AH-31A	1	33
Nu.D-31B	1	34
Nu.D-31T	1	35
Nu.D-06W	31	32
Germe Krikosu / Stressing Jack		(t) Sayfa / Page
SJM-805 / 330		37
Galvaniz Boru / Galvanized Corrugated Duct		(t) Sayfa / Page
GSP-31		38
Grup Kapasitesi / Group Capacity		
0.5"		7130 kN
0.6"		8556 kN
0.62"		8835 kN



Model No.	J	K	L	M	N
	Ø (mm)	Ø (mm)	Ø (mm)	Ø (mm)	mm
Nu.D-31B	15°	120°	350	G 1"	376



Model No.	A	B	C	D	E	F	G	H	I
	Ø (mm)	Ø (mm)	mm	mm	Ø (mm)	Ø (mm)	mm	mm	Ø (mm)
AG-31	268	396	105	617	110	640	80	640	20