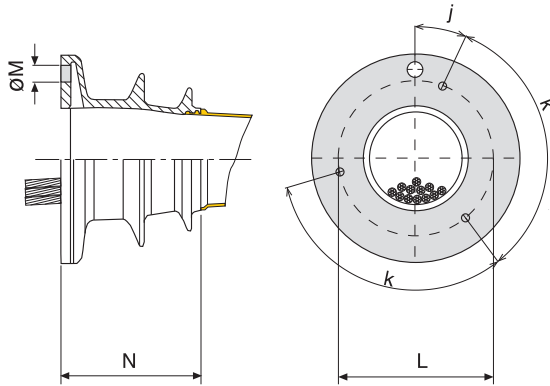
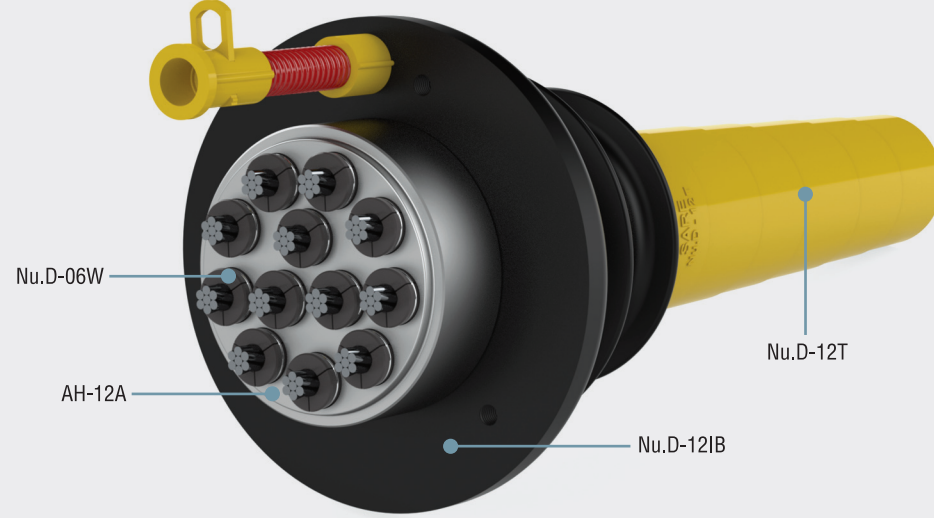


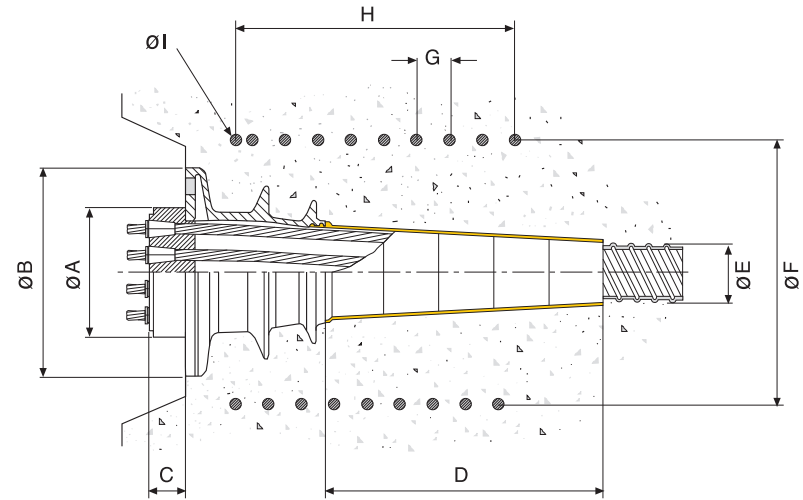
AG-12

12 Halatlı Aktif Tip Ard Germe Grubu 12 Strand Active Post Tension Group

AG-12	Adet / Number	(i) Sayfa / Page
AH-12A	1	33
Nu.D-12IB	1	34
Nu.D-12T	1	35
Nu.D-06W	12	32
Germe Krikosu / Stressing Jack (i) Sayfa / Page		
SJM-390 / 330		37
Galvaniz Boru / Galvanized Corrugated Duct (i) Sayfa / Page		
GSP-12		38
Grup Kapasitesi / Group Capacity		
0.5"		2760 kN
0.6"		3312 kN
0.62"		3420 kN



Model No.	J	K	L	M	N
	∅ (mm)	∅ (mm)	∅ (mm)	∅ (mm)	mm
Nu.D-12IB	20°	120°	203	G 3/4"	169



Model No.	A	B	C	D	E	F	G	H	I
	∅ (mm)	∅ (mm)	mm	mm	∅ (mm)	∅ (mm)	mm	mm	∅ (mm)
AG-12	158	256	59	386	78	310	60	420	14