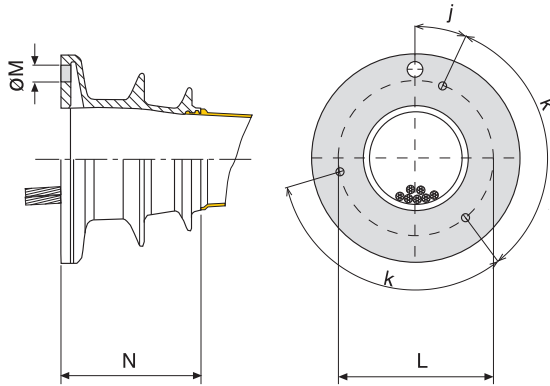
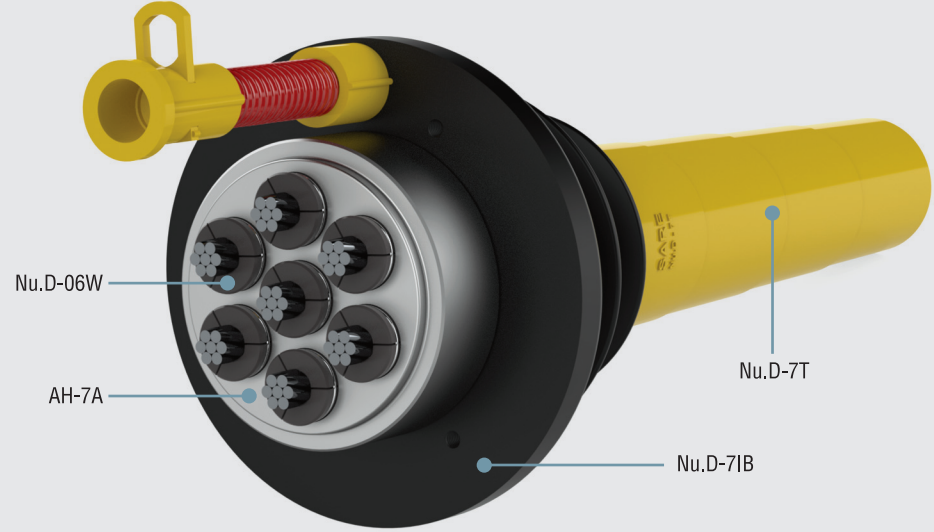


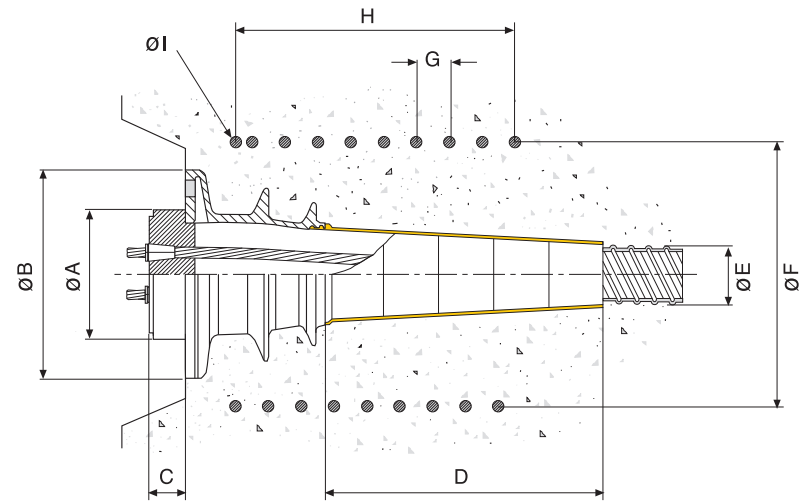
# AG-7

## 7 Halatlı Aktif Tip Ard Germe Grubu 7 Strand Active Post Tension Group

AG-7	Adet / Number	(i) Sayfa / Page
AH-7A	1	33
Nu.D-71B	1	34
Nu.D-7T	1	35
Nu.D-06W	7	32
<b>Germe Krikosu / Stressing Jack</b> (i) Sayfa / Page		
SJM-240 / 300		37
<b>Galvaniz Boru / Galvanized Corrugated Duct</b> (i) Sayfa / Page		
GSP-7		38
<b>Grup Kapasitesi / Group Capacity</b>		
0.5"		1610 kN
0.6"		1932 kN
0.62"		1995 kN



Model No.	J	K	L	M	N
	∅ (mm)	∅ (mm)	∅ (mm)	∅ (mm)	mm
Nu.D-71B	30°	120°	145°	G 3/4"	131



Model No.	A	B	C	D	E	F	G	H	I
	∅ (mm)	∅ (mm)	mm	mm	∅ (mm)	∅ (mm)	mm	mm	∅ (mm)
AG-7	125	200	49	334	63	220	60	360	12